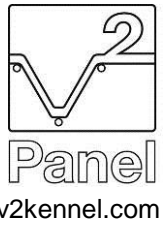


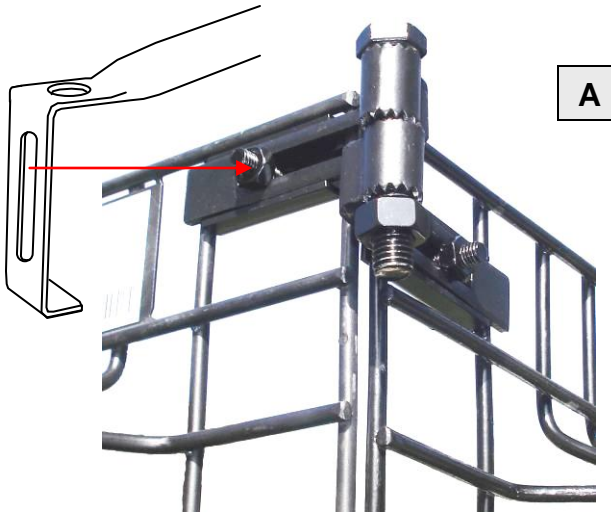
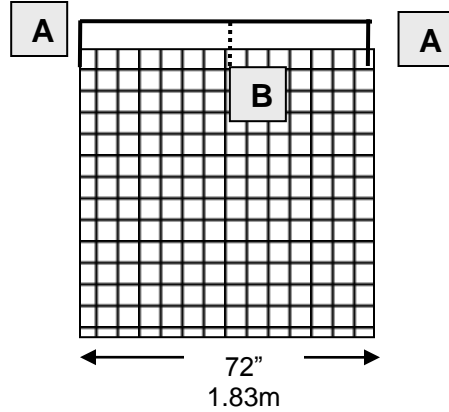
V-Squared™ Kennel
 Roof truss kit instructions
 6' x 12' universal
 2.83m x 5.67m
 Part Number 10222



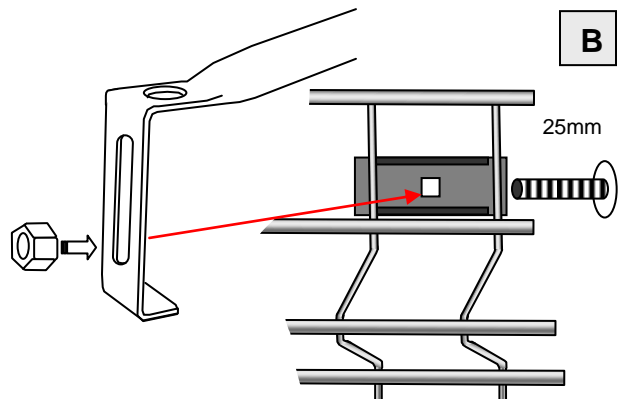
- Included:
 3 roof trusses
 2 ridge line braces
 2 end clamps with 30mm bolts & nuts
 1 center clamp with 30mm bolts & nuts
 6 wire clamp brackets with 25mm bolts & nuts (not all may be needed).



Instructions to adapt our 12'x6' roof kit for use with a 6'x6' kennel.

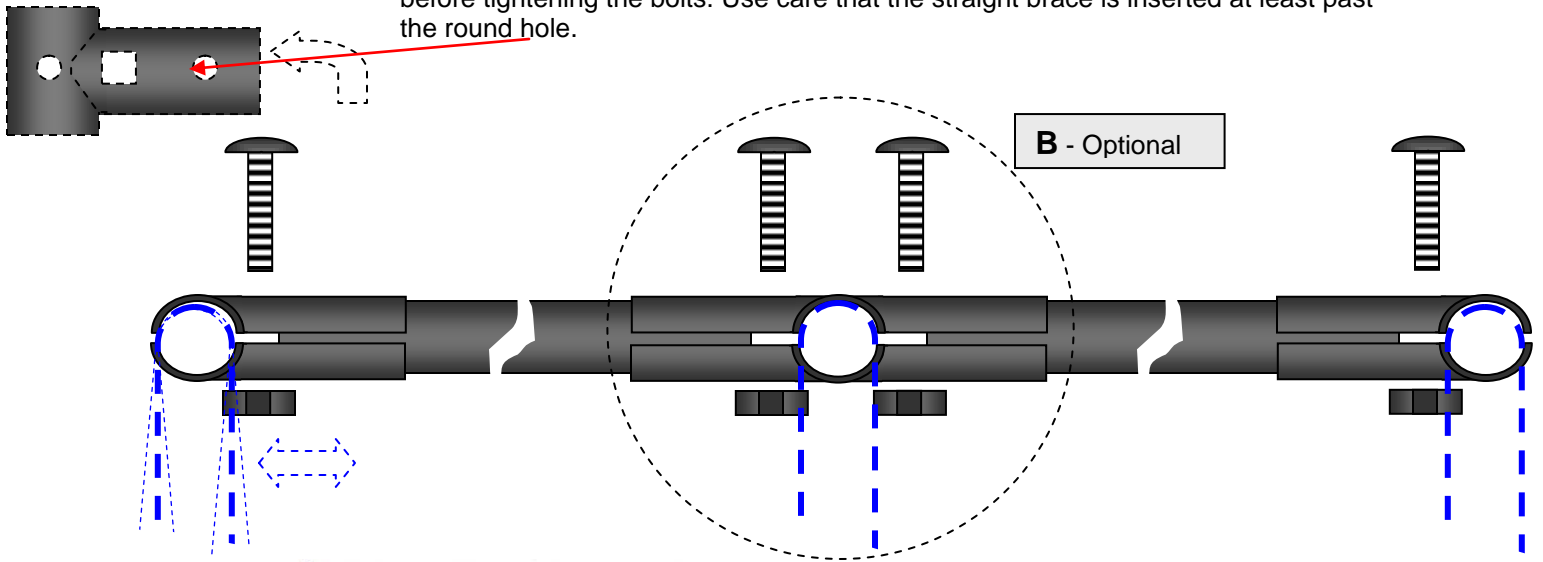


Using 72" long panels to form the sides of the kennel mount the end trusses to the horizontal bolts (A) at each end on the sides.



(B) OPTIONAL – you may mount the third truss in the center of the 6' panels as shown. **This will require that you cut each of the two ridgeline braces to fit.**

Install the straight ridge line brace(s) using the clamps provided. Adjust the distance between the trusses so they are vertical by moving the brace in or out of the clamps before tightening the bolts. Use care that the straight brace is inserted at least past the round hole.



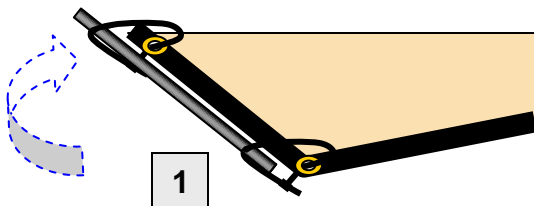
1 EA - PN 45001

6'x6' Vinyl roof tarp with ties.

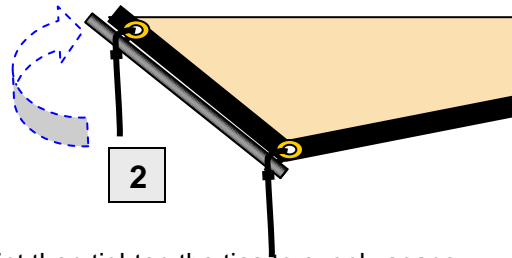
70.5" x 76.5"

1.791m x 1.943m

(truss kit sold separately – instructions included)



1



2

Fasten the vinyl roof tarp loosely at each point then tighten the ties to evenly space the tarp on the roof truss assembly. Cut off the excess tie material for a clean look.

Use **CARE** not to leave a sharp pointed end on the tie when cutting.



Caution: Kennels with roofs or tarps installed should be anchored to prevent them from being overturned in high winds. The roof is not designed for heavy snow loads.

Precaución: Las perreras con las azoteas o los tarps instalados se deben anclar para evitar que sean volcadas en fuertes vientos. La azotea no se diseña para las cargas pesadas de la nieve.